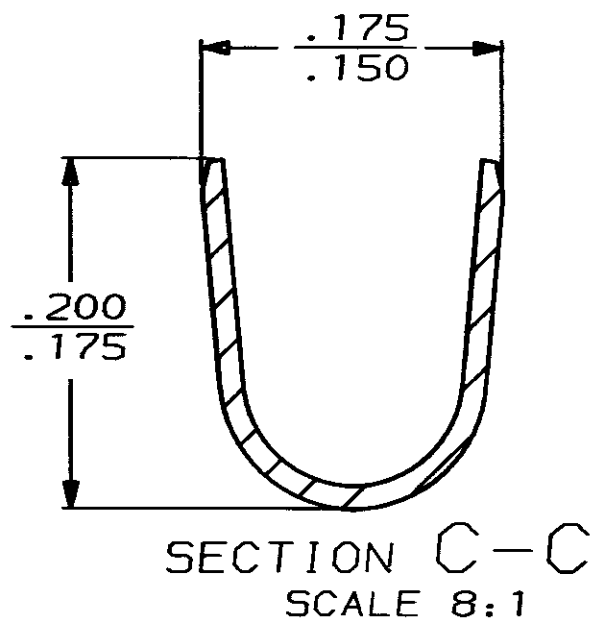
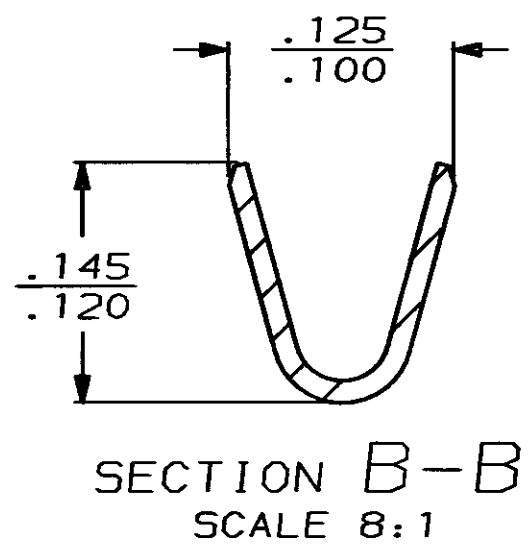
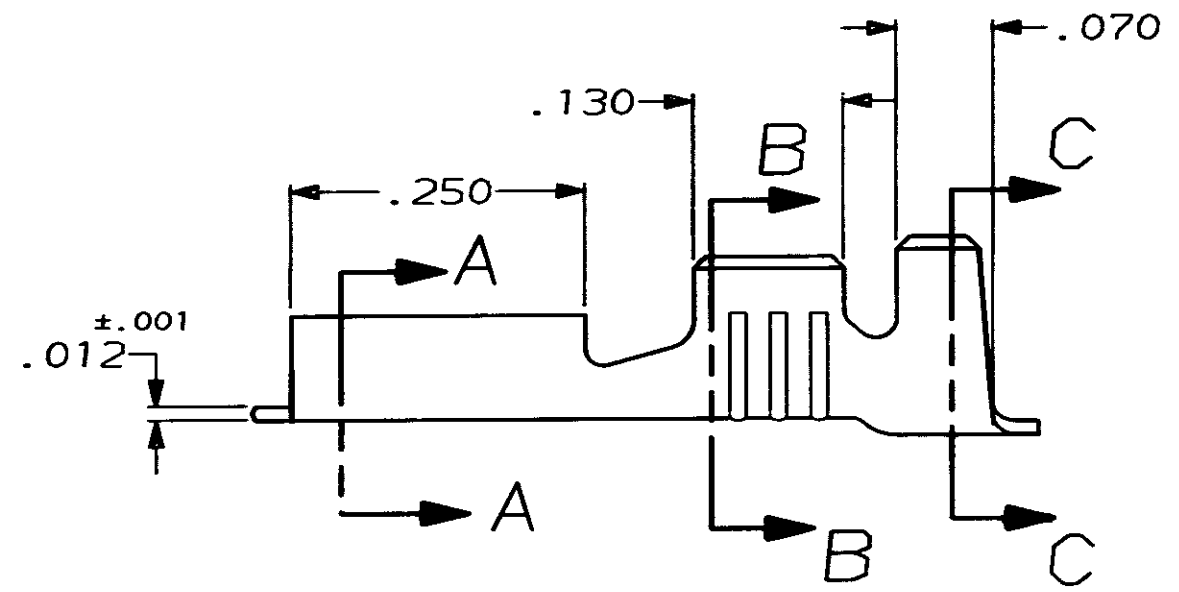
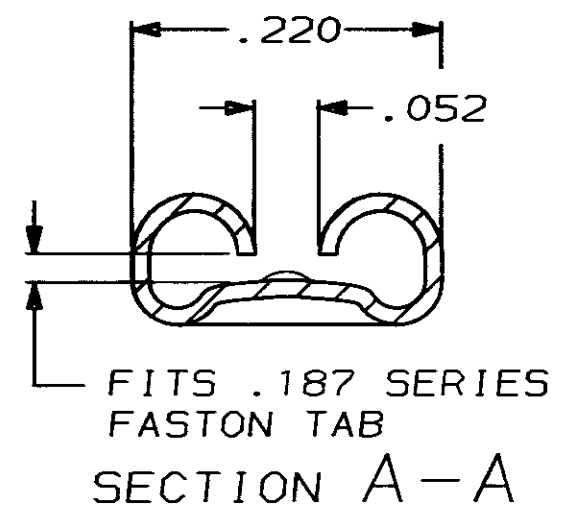
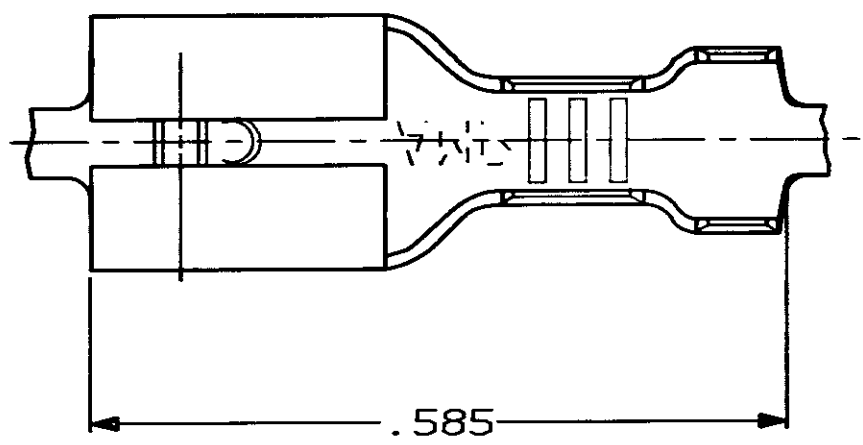


THIS DRAWING IS UNPUBLISHED. RELEASED FOR PUBLICATION ,19 .
 © COPYRIGHT 19 BY AMP INCORPORATED. ALL INTERNATIONAL RIGHTS RESERVED.

LOC	DIST	P	F	ZONE	LTR	DESCRIPTION	DATE	APPD
AF	50				C	REDRAWN AF-6499	1/29/90	JR/CM

1 CONTINUOUS STRIP ON REELS



.090-.130	20-16	.032	61919-1
INSULATION RANGE	WIRE SIZE	MATING TAB THK ±.001	PART NO

TYPE	WIDTH	STRIP LENGTH ±.015	TYPE	WIDTH	HEIGHT ±.002	WIRE
F	.140	.188	F	.090	.060	16
					.053	18
					.049	20
INSUL BARREL CRIMP			WIRE BARREL CRIMP			

DO NOT SCALE PRINT. UNLESS SPECIFIED DIMENSIONS ARE IN INCHES TOLERANCES ON: 2 PLC DEC ± - 3 PLC DEC ± .015 ANGLES ± -	DR 1/29/90 JR RUTH CHK 1/29/90 MS FEHER APPD 1/29/90 C MEYERS APPD 1/29/90 R KUZD PRODUCT SPEC - APPLICATION SPEC - WEIGHT -
MATERIAL #4H BRASS	FINISH -

AMP INCORPORATED Harrisburg, Pa. 17105		
NAME RECEPTACLE, FASTON, .187 SERIES		
SIZE B	CAGE CODE 00779	DRAWING NO 61919
SCALE 6:1	SHEET 1 OF 1	